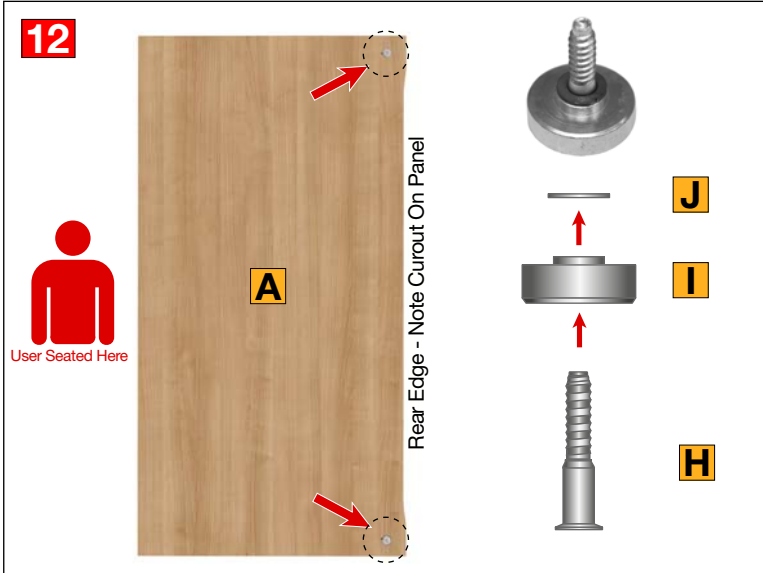
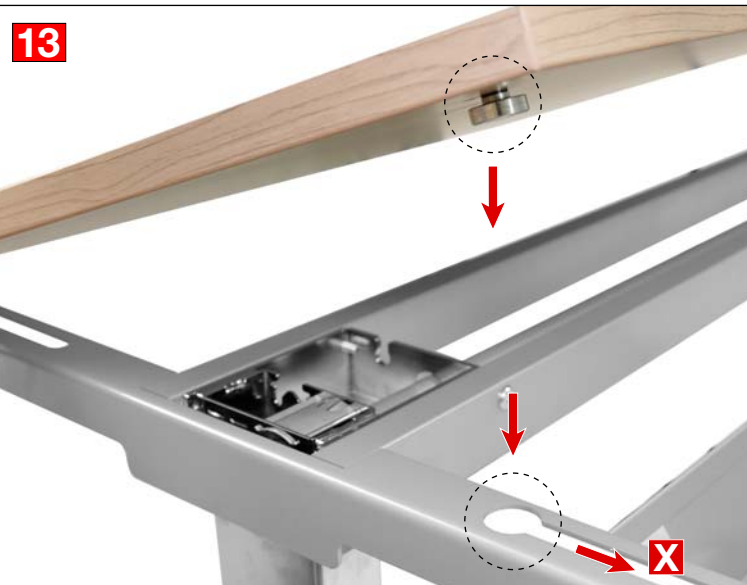


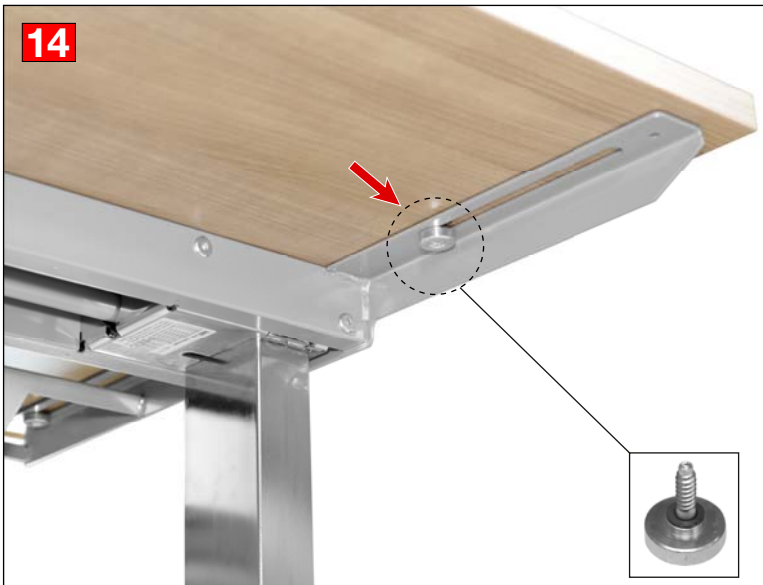
**11.** Using an 8mm Spanner and 3mm Allen Key, tighten the Drive Shaft 'G' Fixing Bolts at both ends of the drive shaft.  
**IMPORTANT!**  
Ensure the RHS of the frame is lifted to the highest position possible before tightening the Drive Shaft Fixing Bolt



**12.** Locate items I, J & H screw fittings and screw onto the underside of both Top Panels 'A' (2 per top panel).



**13.** Locate each top above the keyhole slots in the Sub-Frame and slowly lower into place. Once located slide the top in the direction of arrow 'X'.



**14.** Insert and tighten the remaining 2 x 'H' fixings screws through the Sub-Frame and into the pre-drilled pilot hole in the Top Panel.



**15.** Attach the release lever to the underside of the top with 2 x 'L' Screws, pilot holes are pre-drilled for guidance. Fix the cable to the underside of the top as illustrated with the cable clip provided, see items 'N' & 'M'.

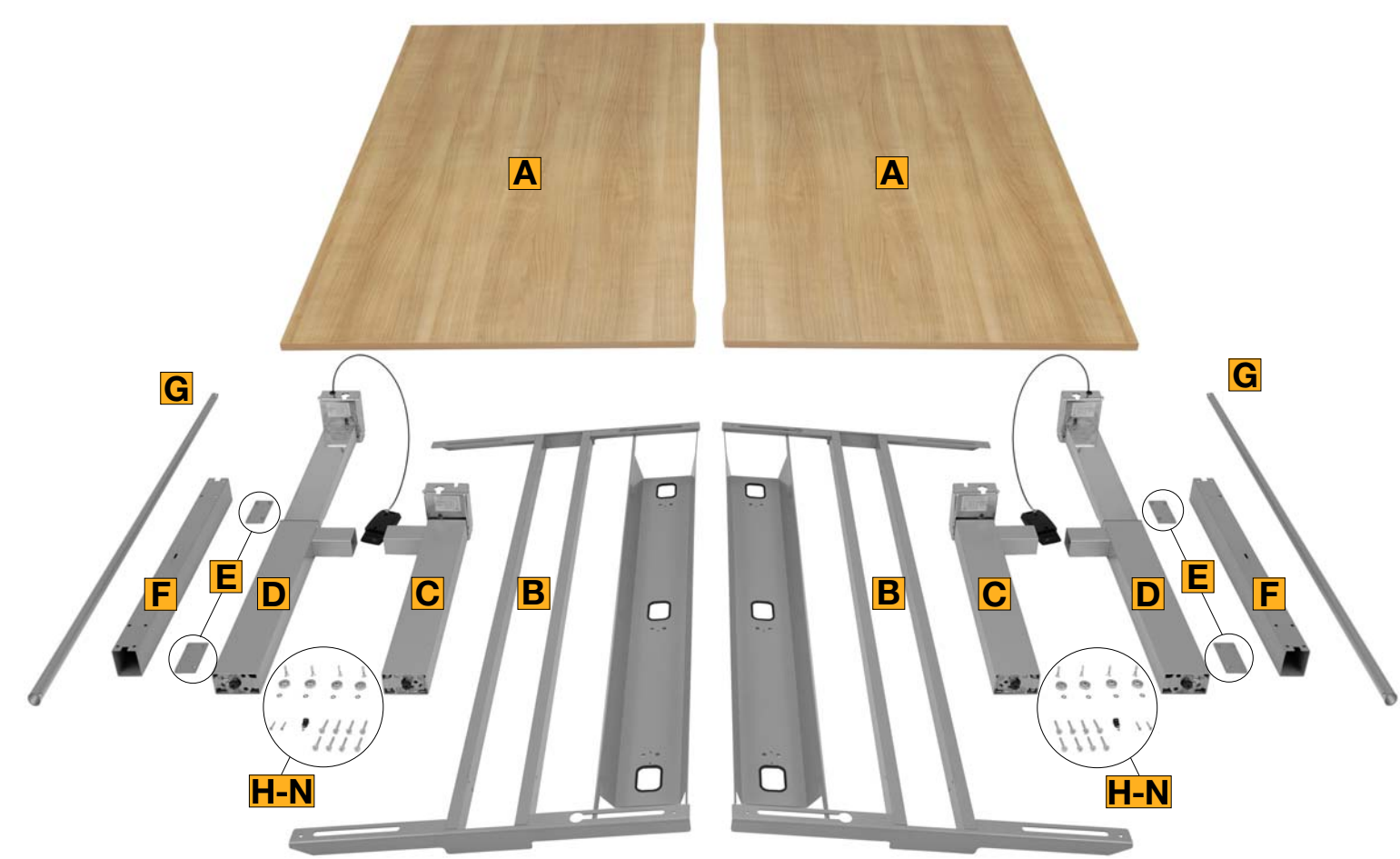


**16.** Progress Desk fully assembled. See additional instructions for Divider Screen attachment.

Range	Progress
Desk Style	Gas Strut Height Adjustable Double Bench
 Before Assembly Please Read This Leaflet	 2 Person Assembly
	<b>Assembly Instructions</b>



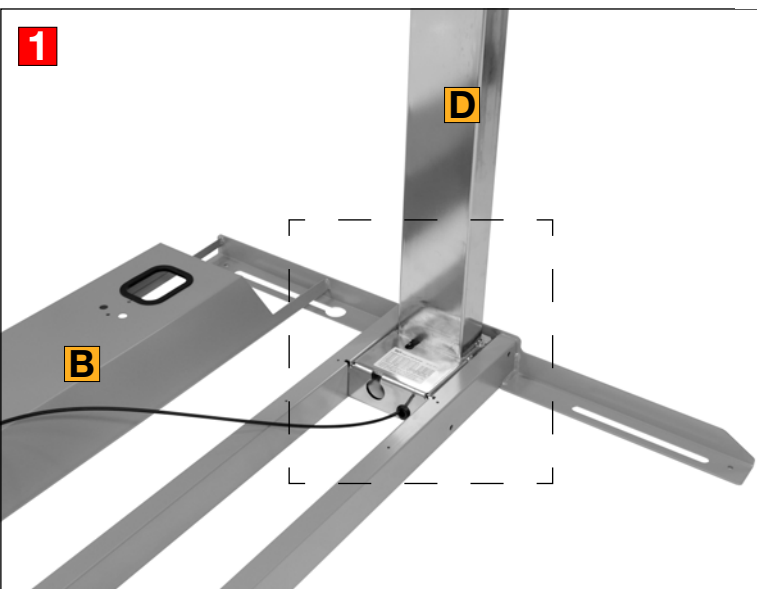
<b>Tools Required</b>				
	Pozi Screwdriver	3mm Allen Key or Hex' Screwdriver	4mm Allen Key or Hex' Screwdriver	8mm Spanner



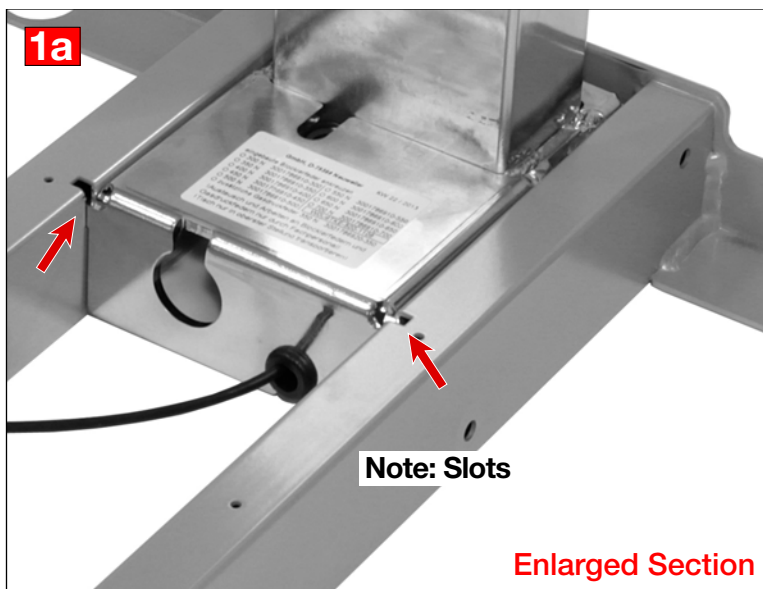
Components	
<b>A</b> Top Panel	x 2
<b>B</b> Sub-Frame & Integrated Horizontal Cable Tray	x 2
<b>C</b> Leg Support	x 2
<b>D</b> Leg Support – With Height Adjustment Lever	x 2
<b>E</b> Linking Plates	x 4
<b>F</b> Leg Support Cross Rail	x 2
<b>G</b> Drive Shaft – Leg to Leg Connection	x 2

Fittings Kit						
<b>H</b>	<b>I</b>	<b>J</b>	<b>K</b>	<b>L</b>	<b>M</b>	<b>N</b>
x 8	x 8	x 8	x 16	x 4	x 2	x 2

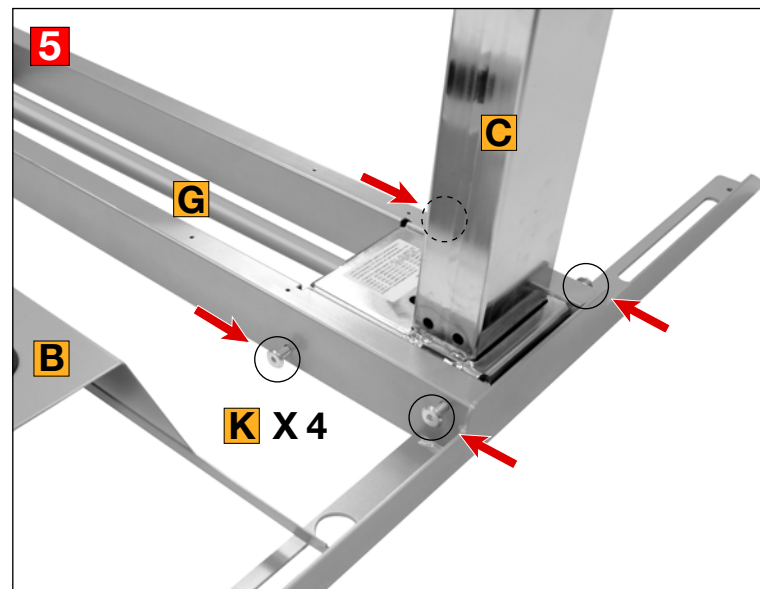




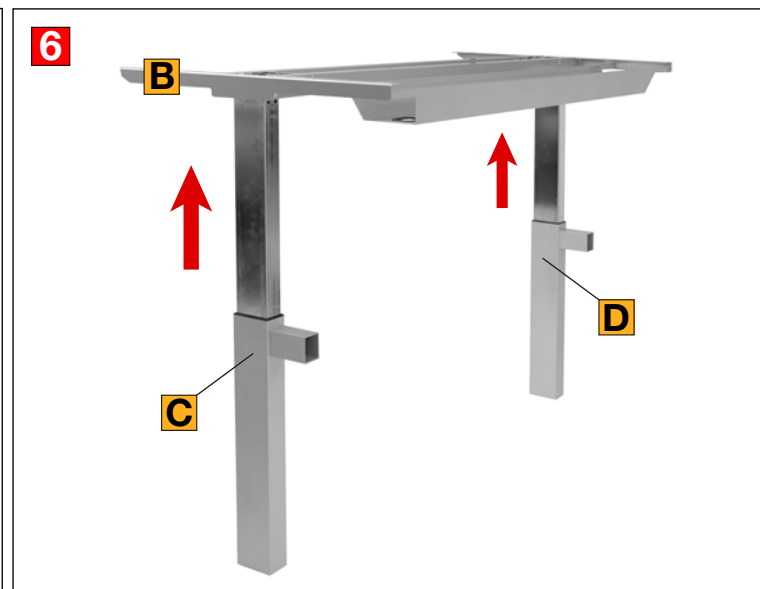
**1.** Lay Sub-Frame B on the floor  
Locate Leg Support 'D' and extended fully. See image 1a.  
Note the support leg with release lever & cable is to be placed as shown on the right hand side of the Sub-Frame.  
(The release lever will be positioned on the left hand side of the top when the desk is upright).



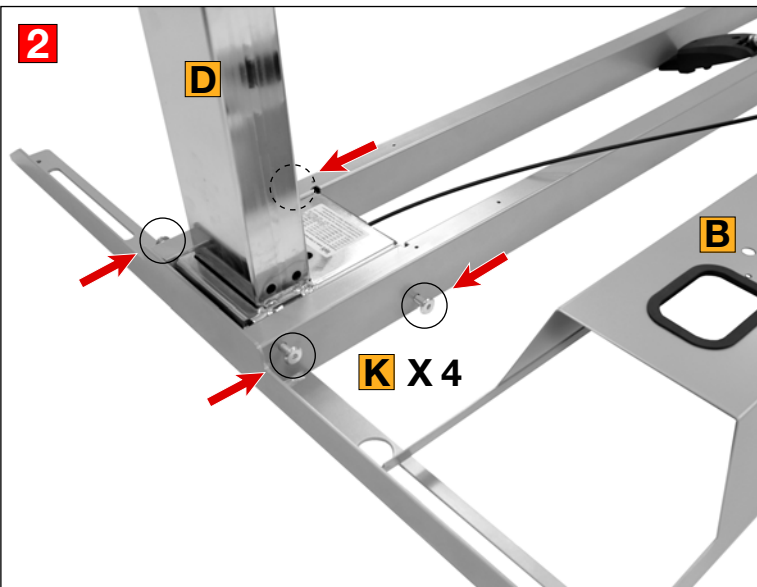
**Enlarged Section**



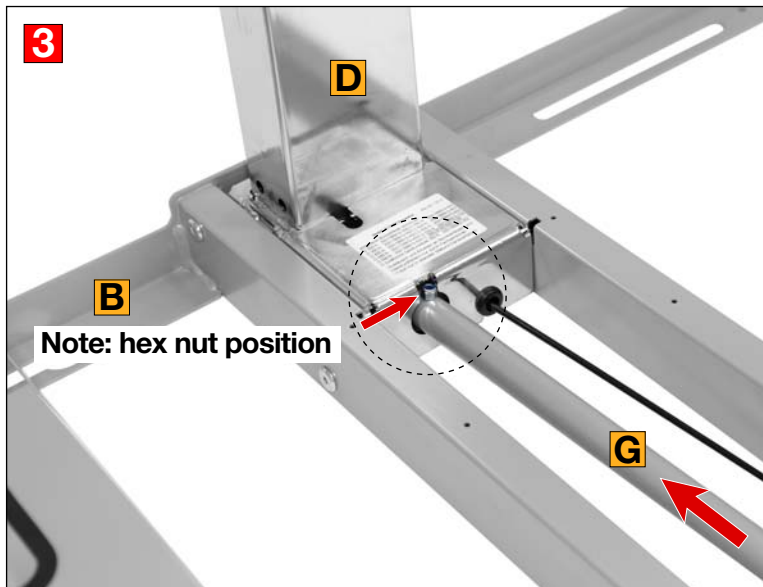
**5.** Insert fixing bolts 'K' through the Sub-Frame and into the Leg Support.



**6.** Stand the desk structure in the upright position, ensure the legs (C & D) are extended to the maximum height.



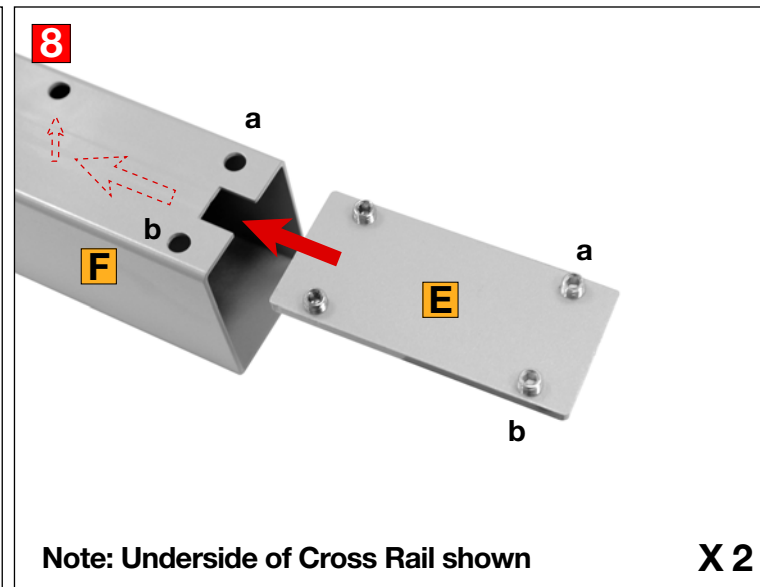
**2.** Secure Leg Support 'D' into Frame 'B' by 4 x Hex Bolts 'K'.



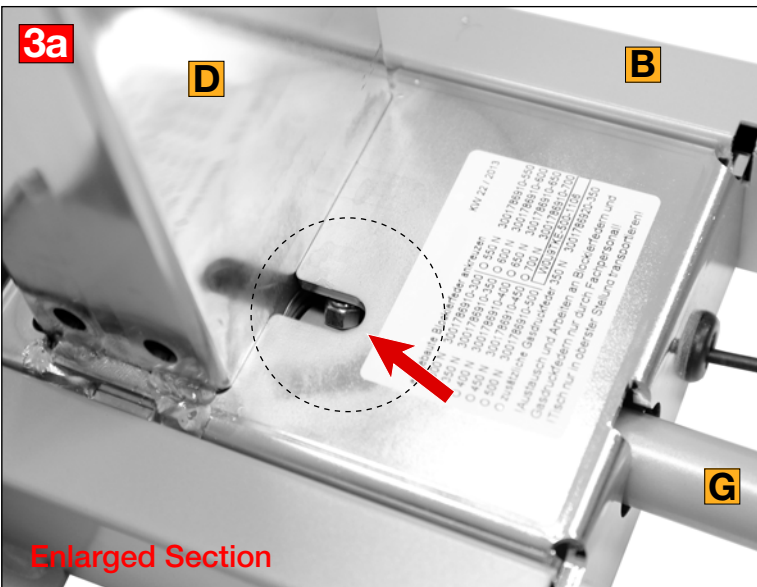
**3.** Locate the Drive Shaft 'G' and insert as shown above into Leg Support 'D' - Note the hex nut position facing up.



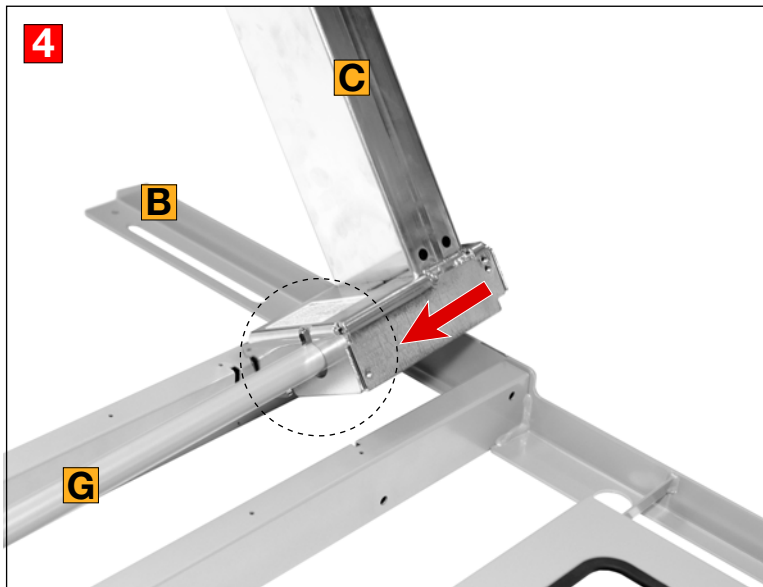
**7.** Assemble the other side of the double bench in the same way as procedures 1-6.



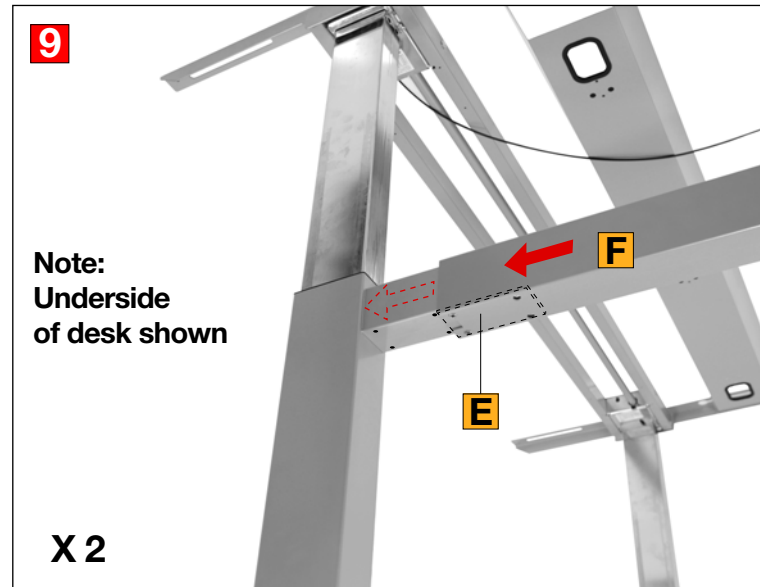
**Note: Underside of Cross Rail shown X 2**



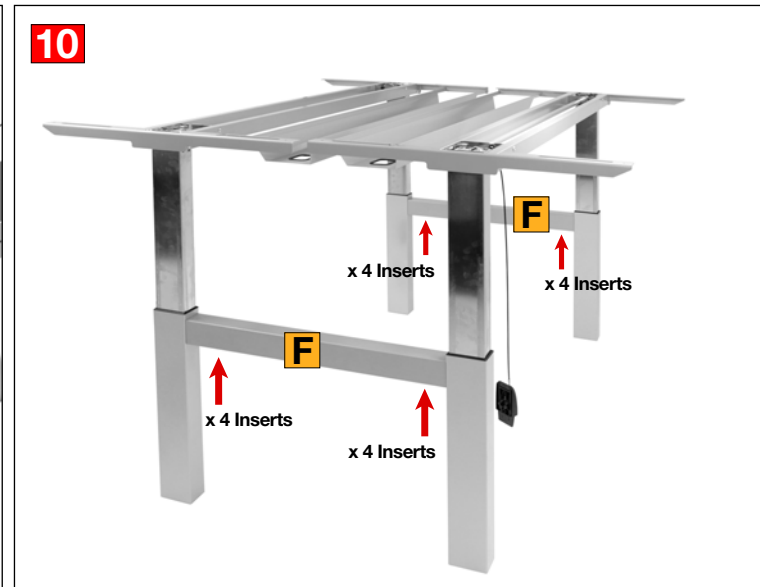
**3a.** Insert the Drive Shaft as far as it will travel.  
**Important:** Keep the hex nut in the upright / facing position when inserting the Drive Shaft.



**4.** Insert the opposite end of the Drive Shaft into Leg Support 'C' as detailed above. Mirror the same process as detailed in image 3a.



**9.** Slide the Leg Supports Cross Rail 'F' (with the attached plate 'E') onto both leg return spigots. Apply this to both sides of the desk frame.



**10.** Mirror this on both Leg Support Cross Rails 'F'. Once the fixing screws have been tightened the workstations will stand unsupported.