

elite office furniture uk ltd www.elite-furniture.co.uk
 ☎... **Helpline** 01405 746000

Range	Optima Plus
Desk Style	Height Adjustable Desk
 Before Assembly Please Read This Leaflet	 2 Person Assembly
	Assembly Instructions



Tools Required

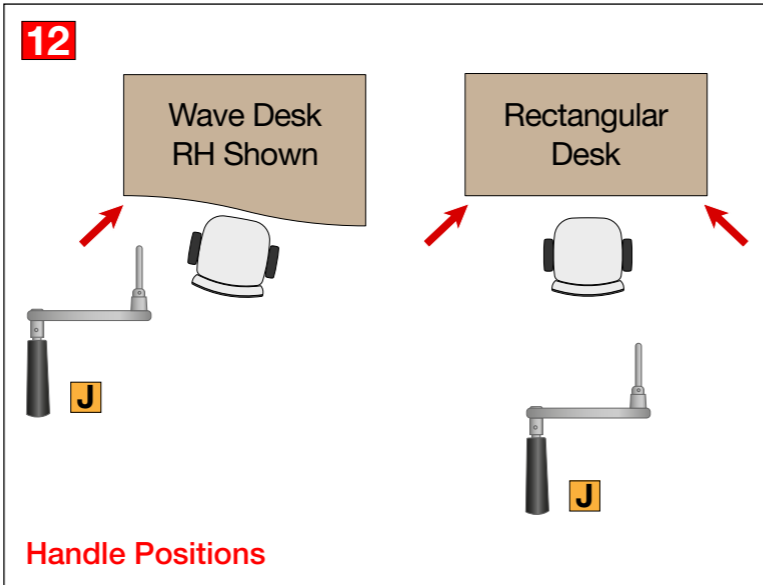
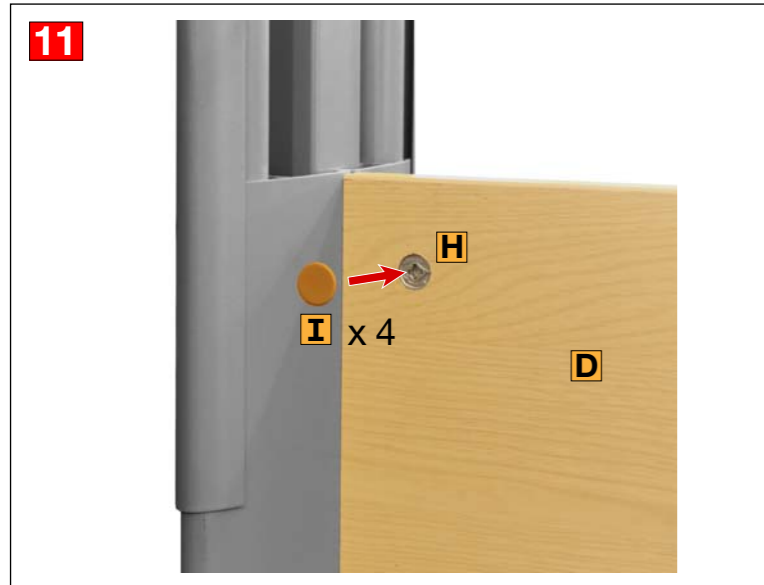
Pozi Screwdriver

Slotted Screwdriver

2mm Allen Key
 or Hex' Screwdriver

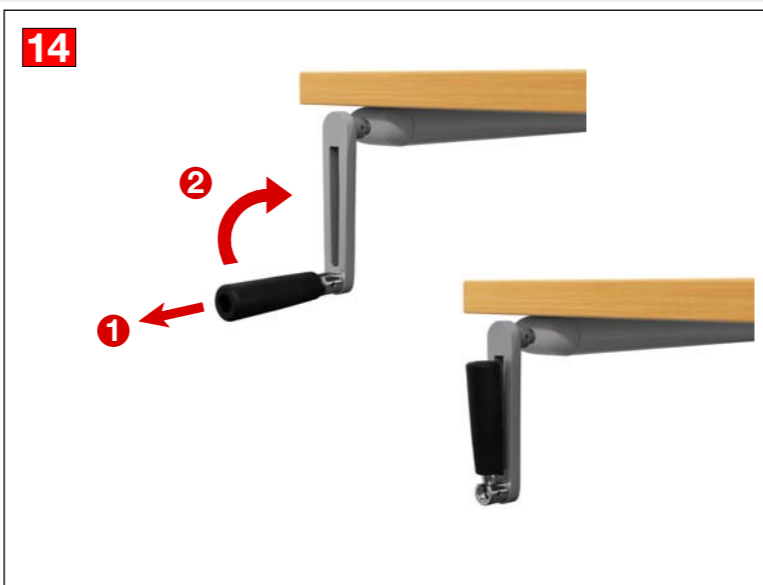
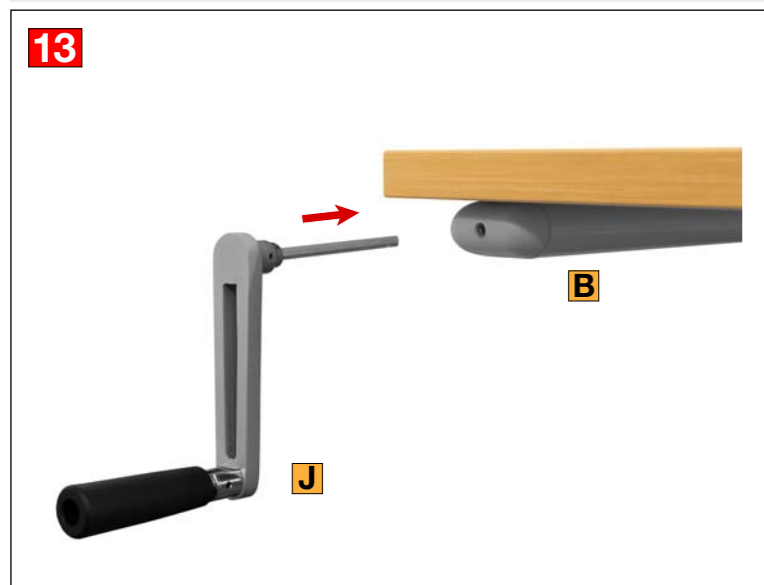
9. Align the holes on the underside of Top Panel 'E', with the holes in the Leg Frame. Using a pozi screwdriver, insert screws 'F' into the holes indicated above and tighten into place.

10. Repeat step 9 on the opposite leg frame.



11. Use 4 x Cam Covers 'I' to cover Cam Lock 'H' by pressing into place on the modesty panel 'D'.

12. The suitable positions for the rotating handle are displayed in the figure above.



13. To fix the handle into position, take Handle 'J' and insert the pin into the opening on the end of component 'A' or 'B', as above.

14. To increase the height of the table rotate the handle in a clockwise motion. To decrease the height, rotate the handle anti-clockwise. To lock the handle, pull the black handle towards you to release the locking pin and lift up towards the desktop.

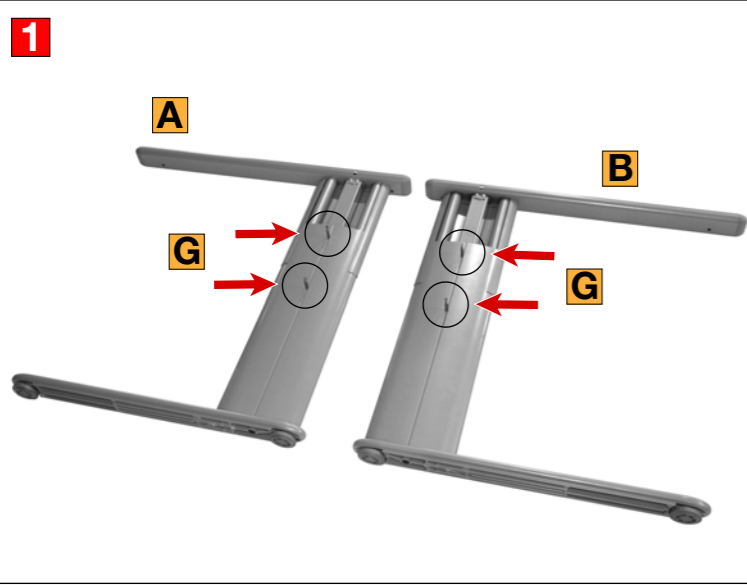


Components

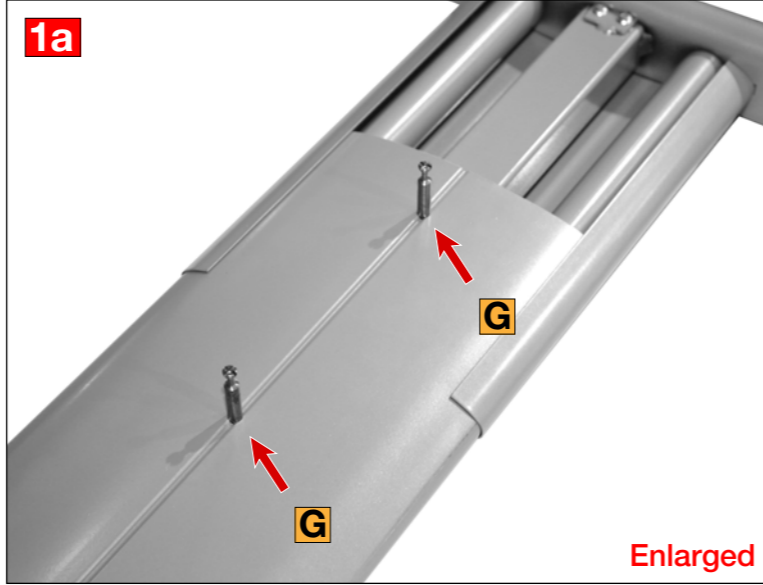
A Left Hand Leg Frame	x 1
B Right Hand Leg Frame	x 1
C Leg Height Synchronisation Rod	x 1
D Modesty Panel	x 1
E Top Panel	x 1

Fittings Kit

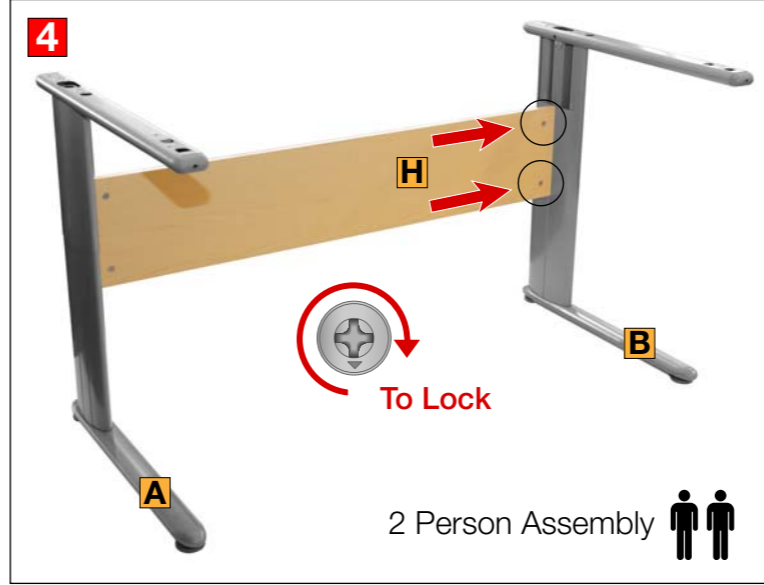
F Screw x 4	G Cam Dowel x 4	H Cam Lock x 4	I Cam Cover x 4	J Handle x 1
--------------------	------------------------	-----------------------	------------------------	---------------------



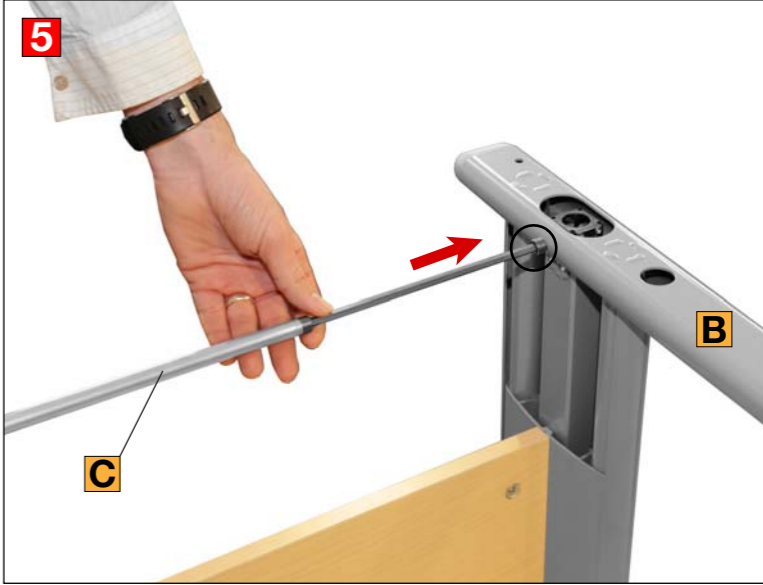
1. Place Leg Frames 'A' and 'B' on a clean floor with the inside of each leg facing up.



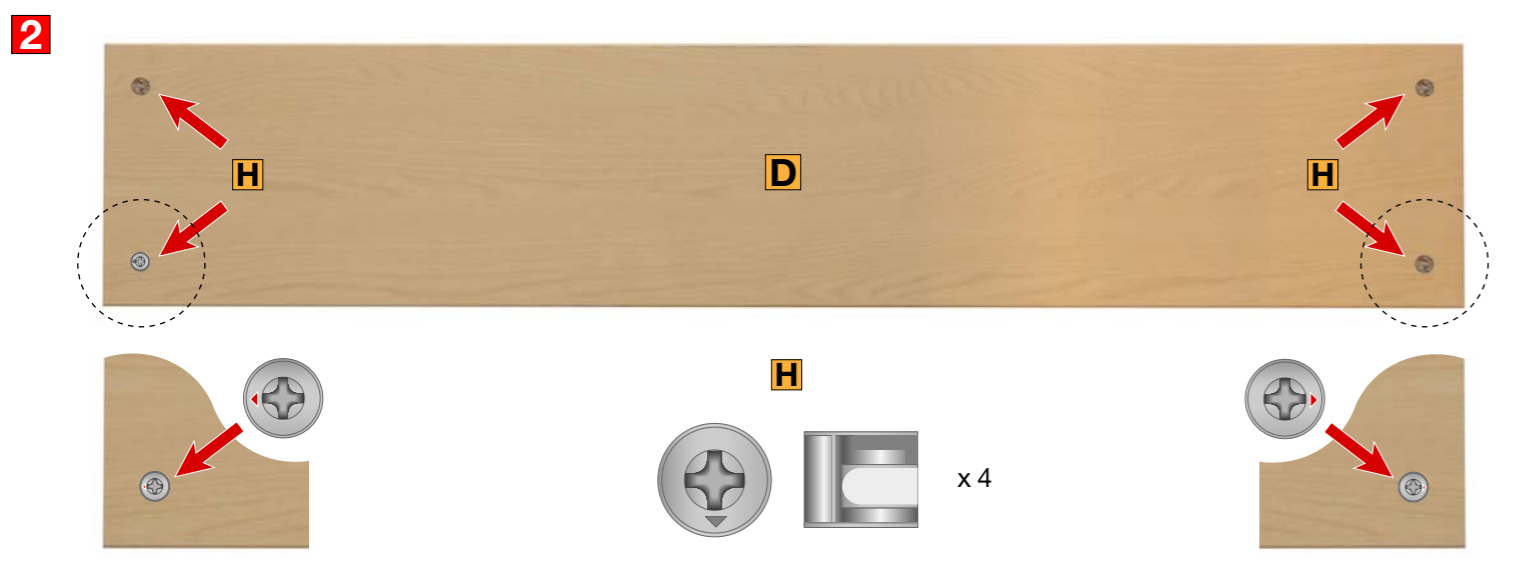
1a. Using a slotted screwdriver, screw the 4 x 'G' Cam Dowel fixings into the holes on the inside leg (2 per leg upright). **Enlarged**



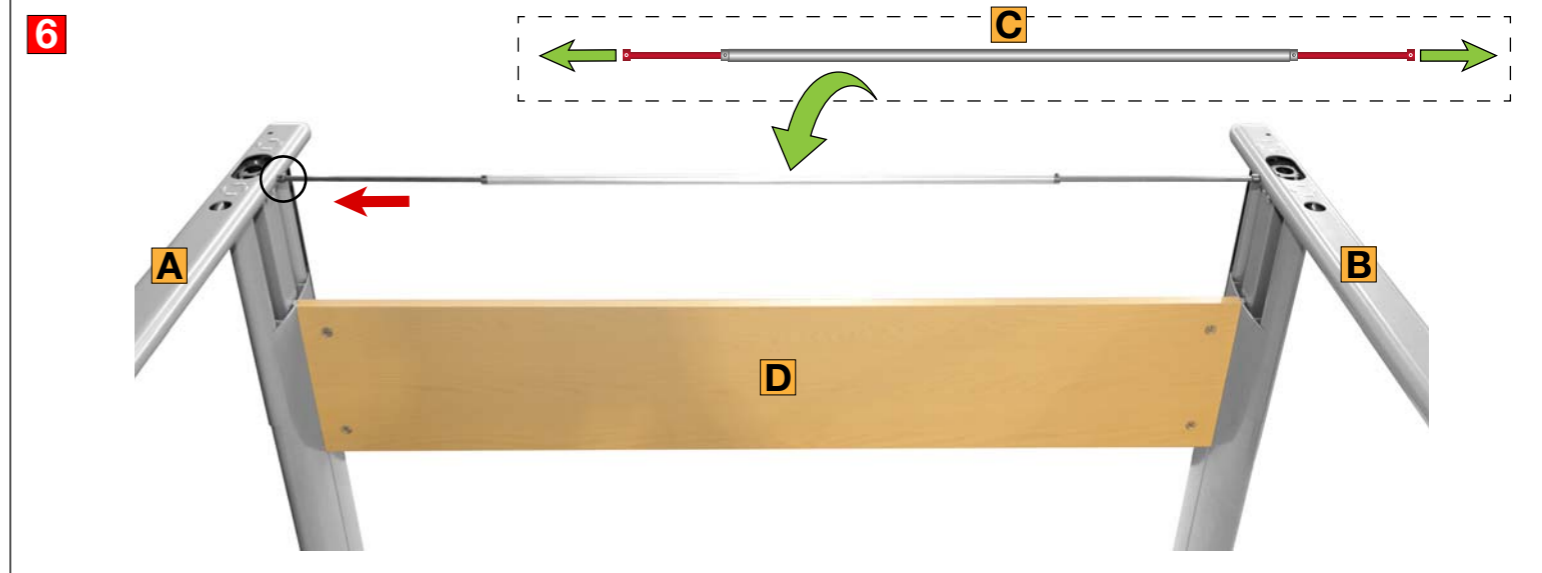
4. Lift Leg Frame 'A' into an upright position, supporting the modesty panel and place the remaining Leg Frame 'B' on the opposite side and repeat steps 3 and 3a.



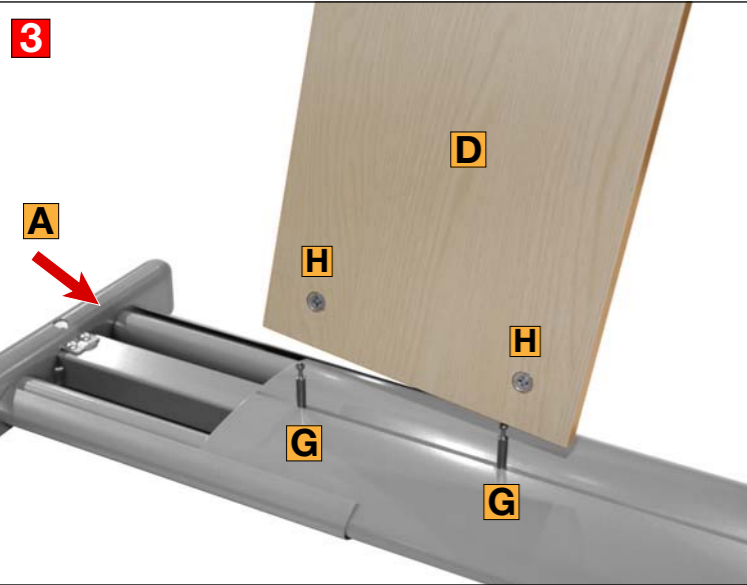
5. Position the Leg Height Synchronisation Rod 'C' above the modesty panel, between the leg uprights. Insert one end of the component into the hole indicated above.



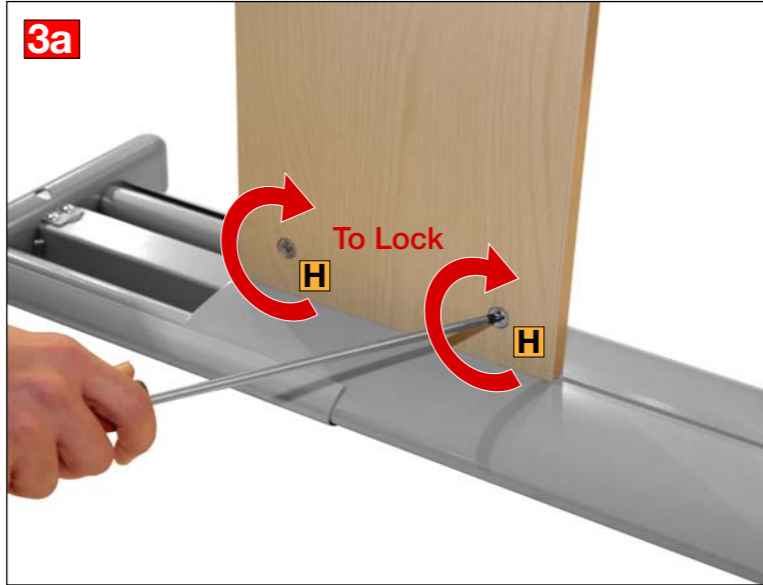
2. Place Modesty Panel 'D' on a clean floor with the holes exposed. Place 4 x Cam Locks 'H' into the holes. Using a screwdriver, position the arrow on the face of the fixing towards the outside edge of the modesty panel.



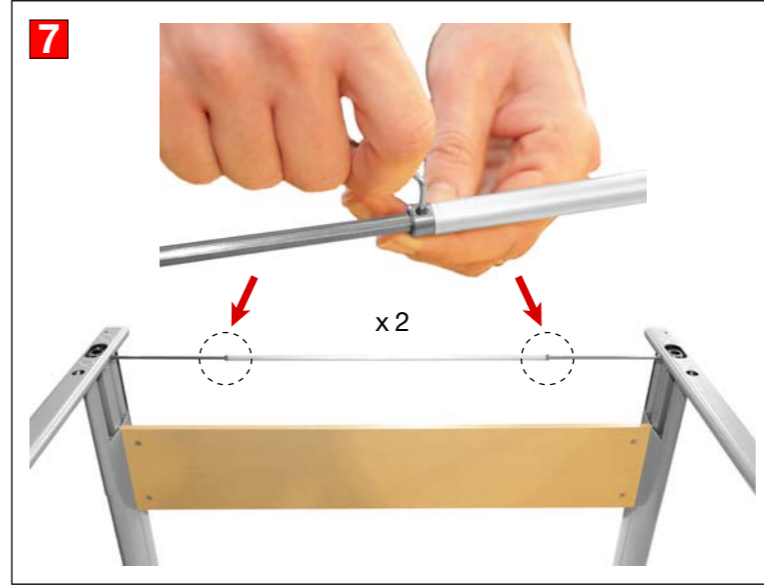
6. Repeat step 5 on the opposite Leg Frame 'B' ensuring component 'C' remains in place.



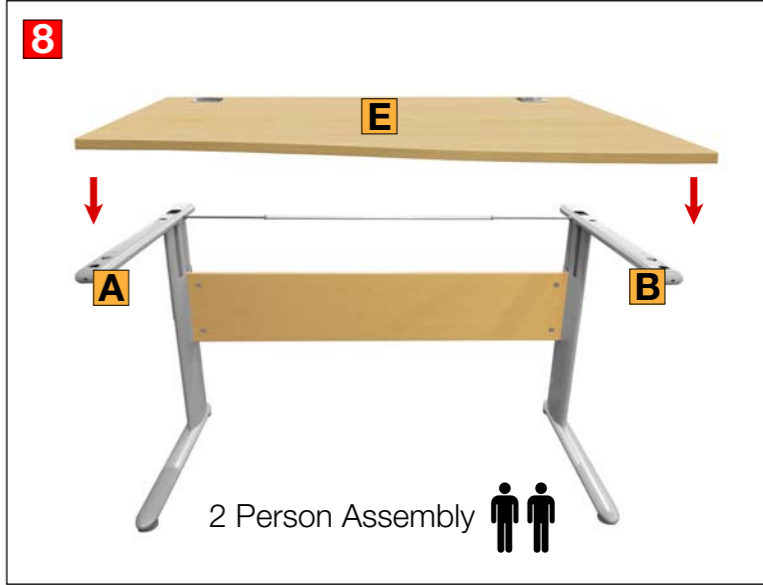
3. Carefully lift Modesty Panel 'D' and position the holes on the outside edge over the Cam Dowels 'G' on the Leg Frame 'A'. Insert the Cam Dowels fixing 'G' into the holes, ensuring the Cam Locks 'H' are facing towards the front of the Leg Frame.



3a. Using a screwdriver, tighten fixing 'H' in a clockwise motion.



7. Centre the casing on the Leg Height Synchronisation Rod and tighten the fastening in the two places indicated above, using a 3mm Allen key.



8. Carefully lift Top Panel 'E' and place on top of the Leg Frames 'A' and 'B'.