

elite office furniture uk ltd www.elite-furniture.co.uk
 ☎... **Helpline** 01405 746000

Range	Linnea Elevate
Desk Style	Double Bench
 Before Assembly Please Read This Leaflet	 2 Person Assembly
	Assembly Instructions

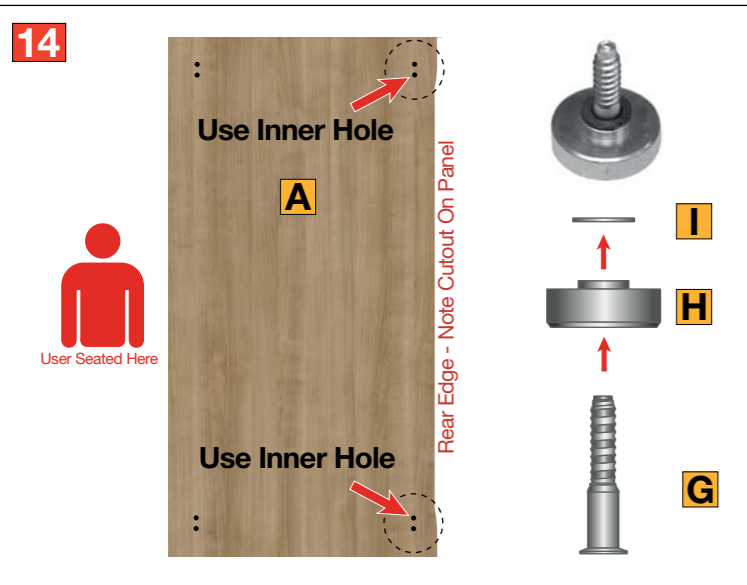


Tools Required

Pozi Screwdriver	2.5mm Allen Key or Hex' Screwdriver	4mm Allen Key or Hex' Screwdriver	5mm Allen Key or Hex' Screwdriver

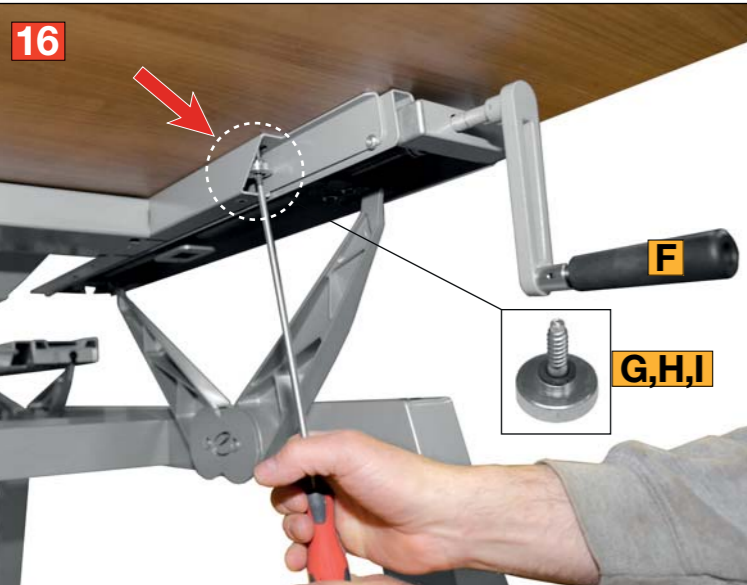
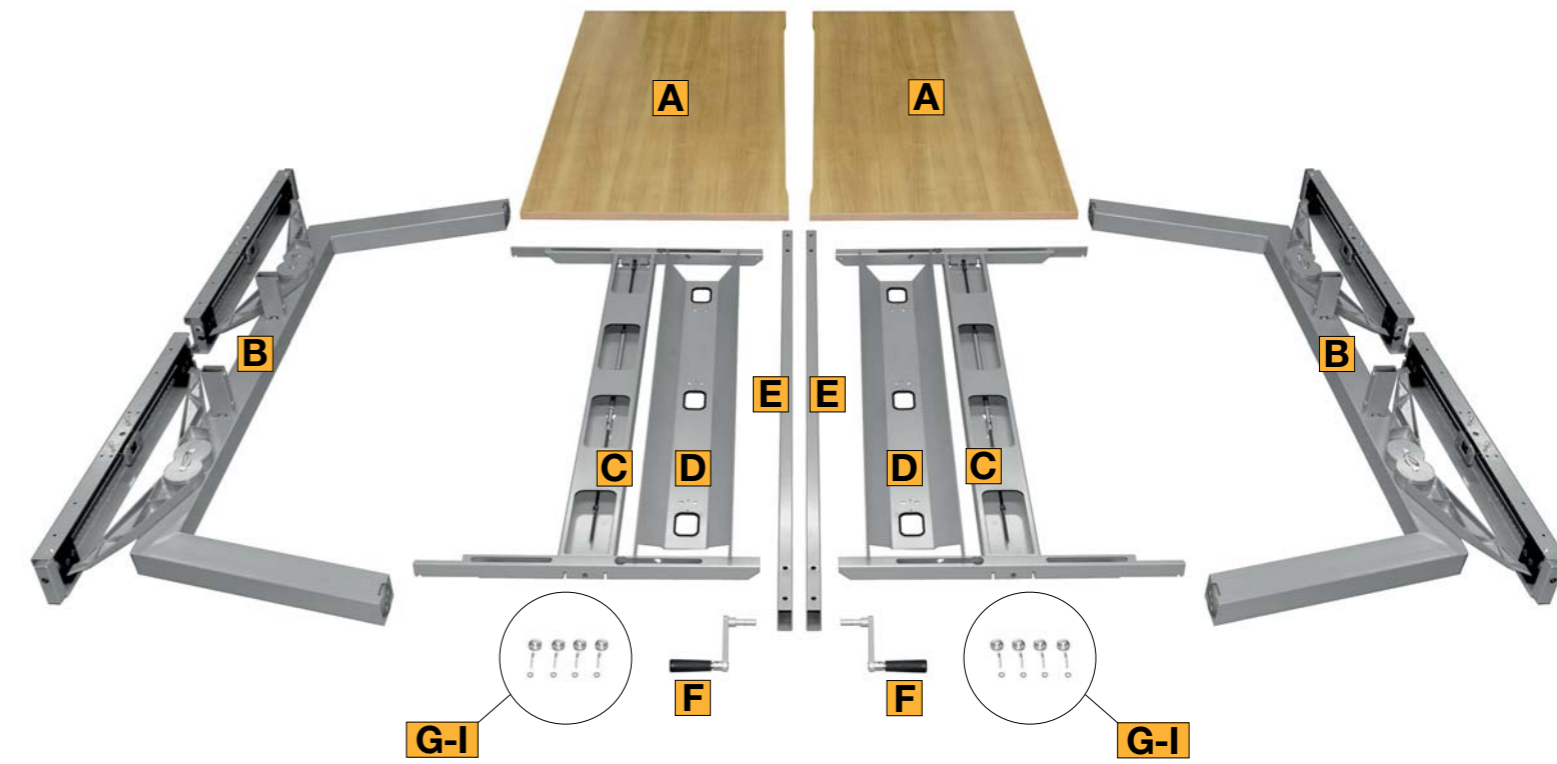
12. Locate Cable Tray 'D' and insert it into slots located within the Underframe 'C'
Ensure the square detail of the Cable Tray 'D' is situated at the back of the Underframe 'C' as shown above.

13. Add the remaining Underframe 'C' and Cable tray 'D' using previous instructions 8-12



14. Place Top Panels (A) are placed on a flat, clean surface. Locate screw fittings G, H & I. Screw into the underside of both Top Panels (A) – 2 screw fittings per top panel.

15. Place each Top Panel (A) above the keyhole slots in the Underframe (C). Slowly lower into place. Once located, slide the top in the direction of arrow X.

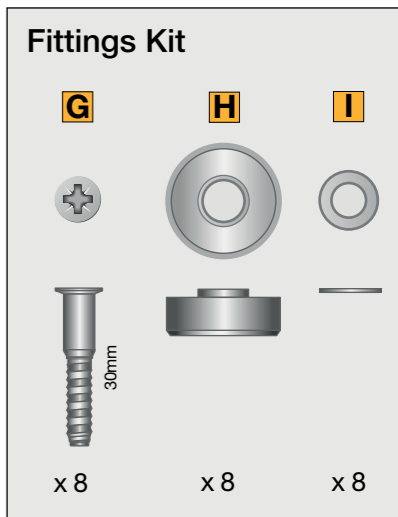


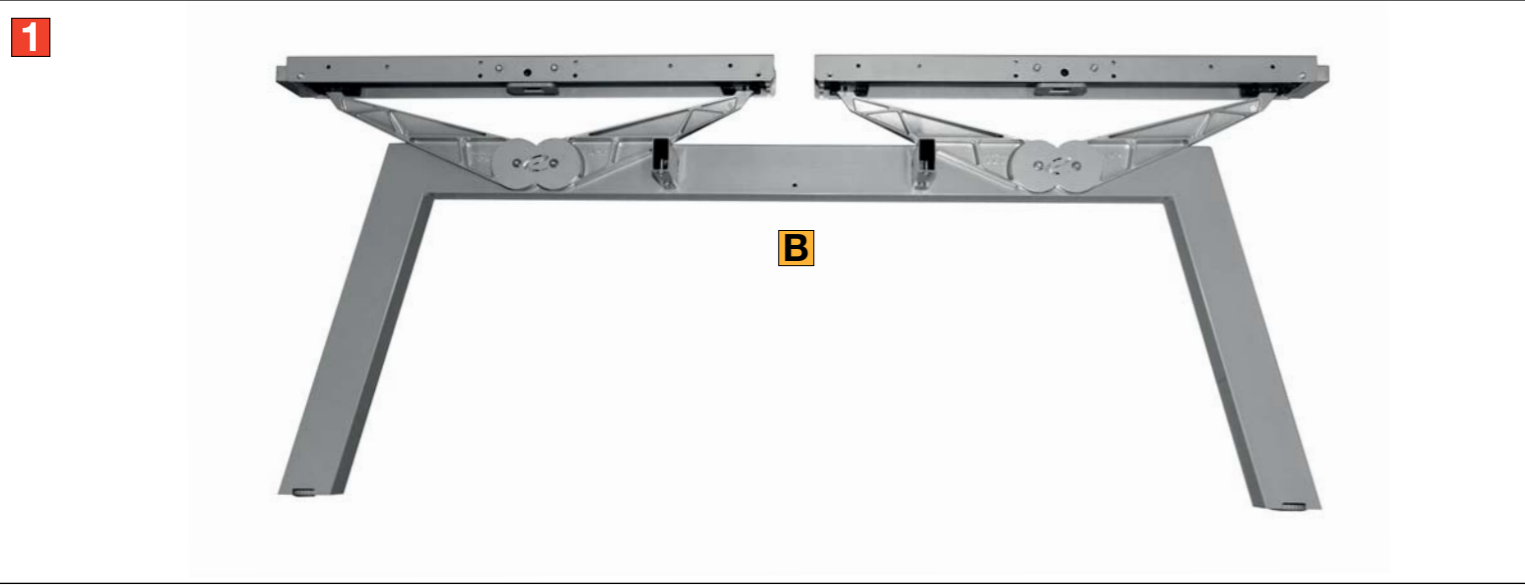
16. Insert and tighten the remaining 4 x G, H & I fixings screws through the Underframes (C) and into the pre-drilled pilot holes in the Top Panels (A). Insert adjustment levels F where shown on both sides of the desk.

17. Adjustment Lever 'F' can be stowed when not in use.

Components

A Top Panel	x 2
B Leg Assembly	x 2
C Underframe	x 2
D Cable tray	x 2
E Support Rails	x 2
F Adjustment Lever	x 2

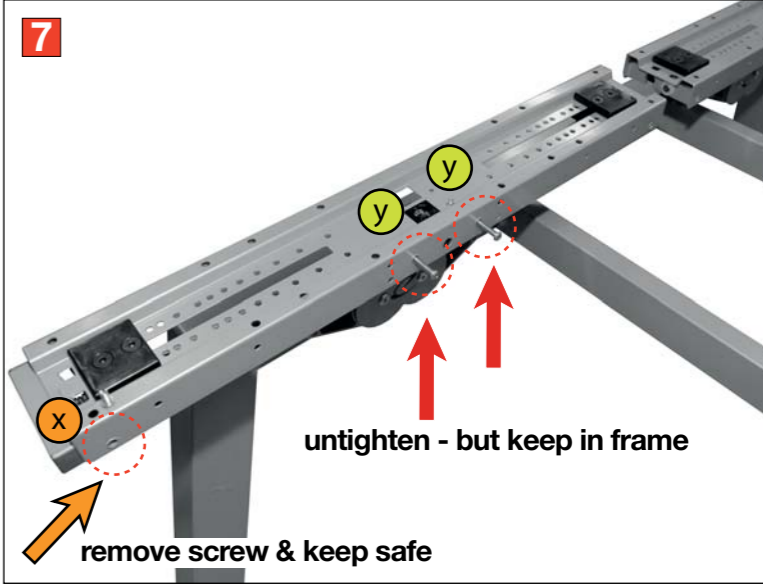




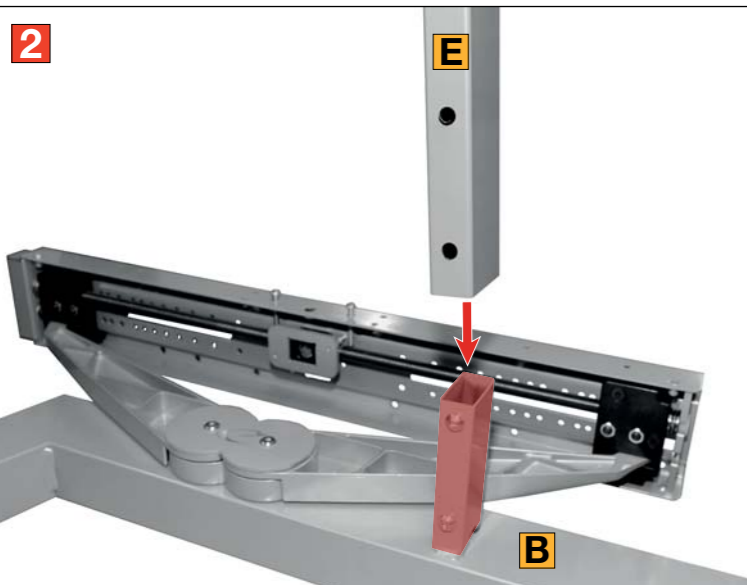
1. Locate 1 x Leg Assembly (B) and place down on a flat, clean surface.



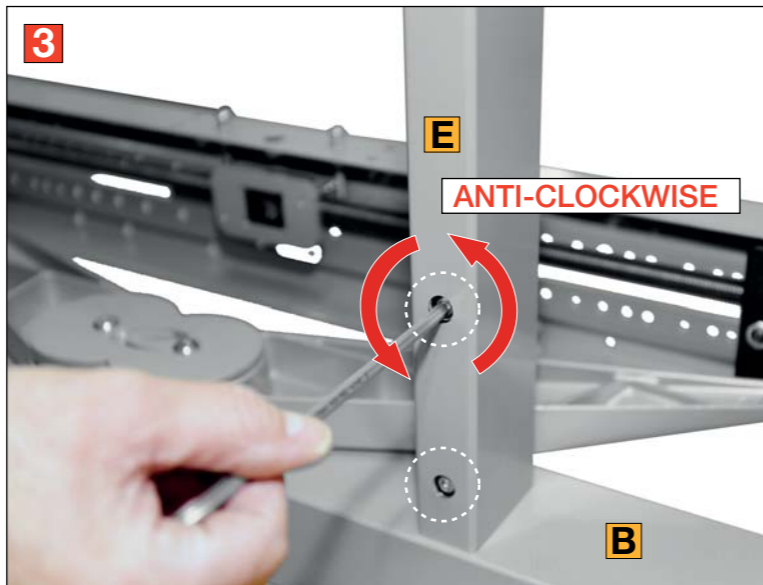
6. The desk assembly should now look like the image above.



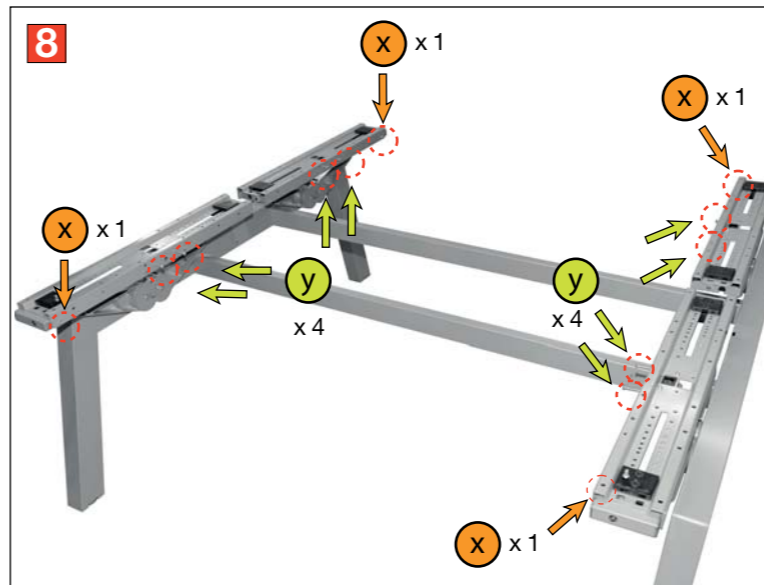
7. Using 4mm Allen key remove bolts from positions 'x' and keep safe. Loosen bolts 'y' but keep the bolts within the framework.



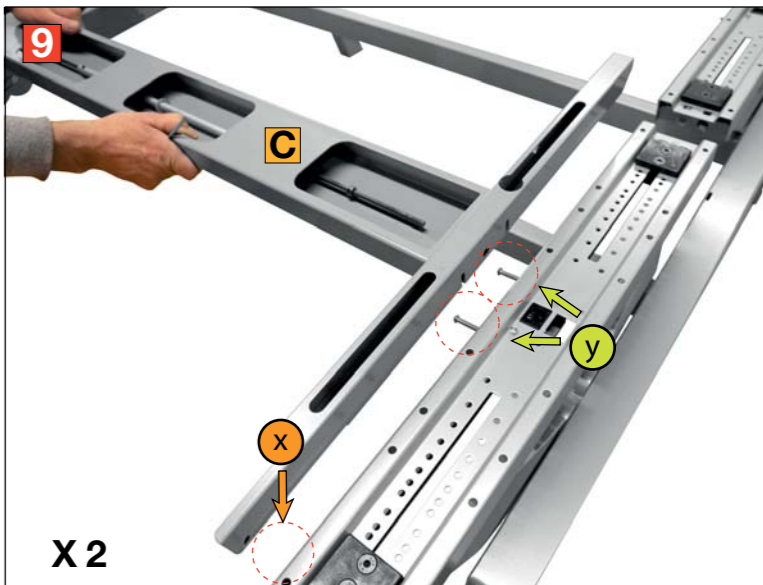
2. Locate 1 x support rail (E) and place it onto the highlighted area of Leg assembly (B) shown above. Repeat on both areas of the Leg assembly using the remaining support rail (E).



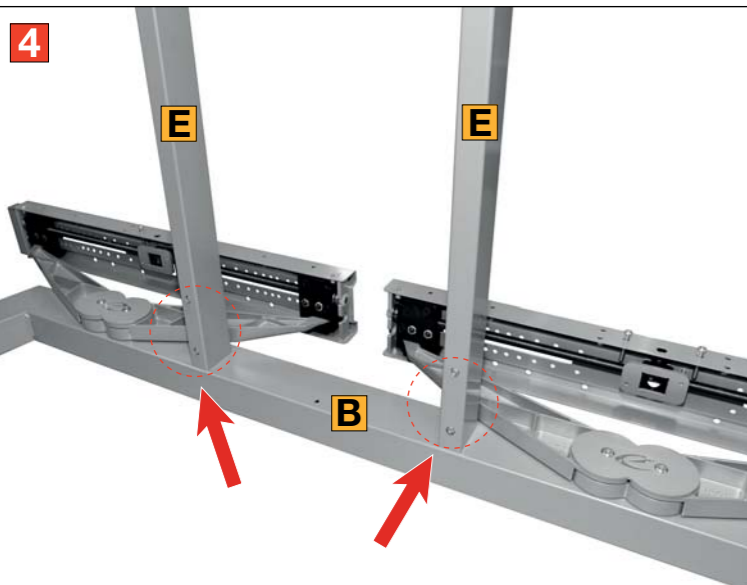
3. Using 5mm Hex Allen key, turn the bolts ANTI-clockwise. This will force the bolts to travel out into Support rails (E).



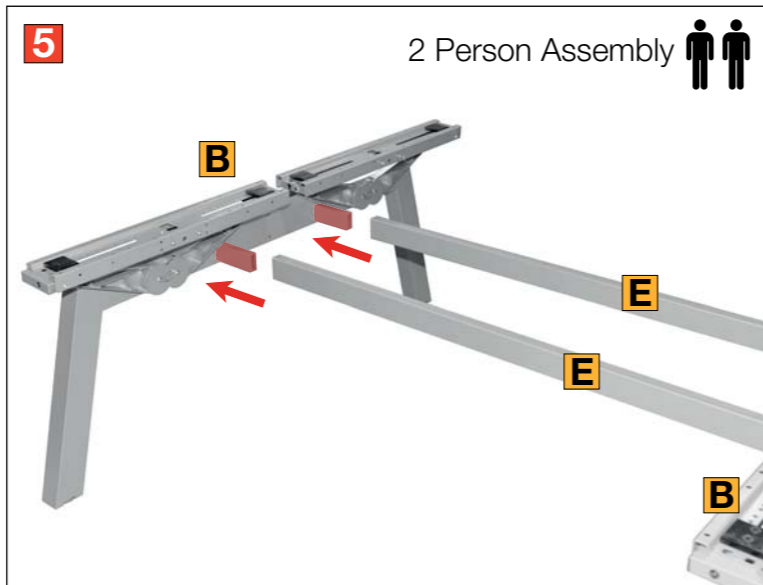
8. Locations of bolts x & y.



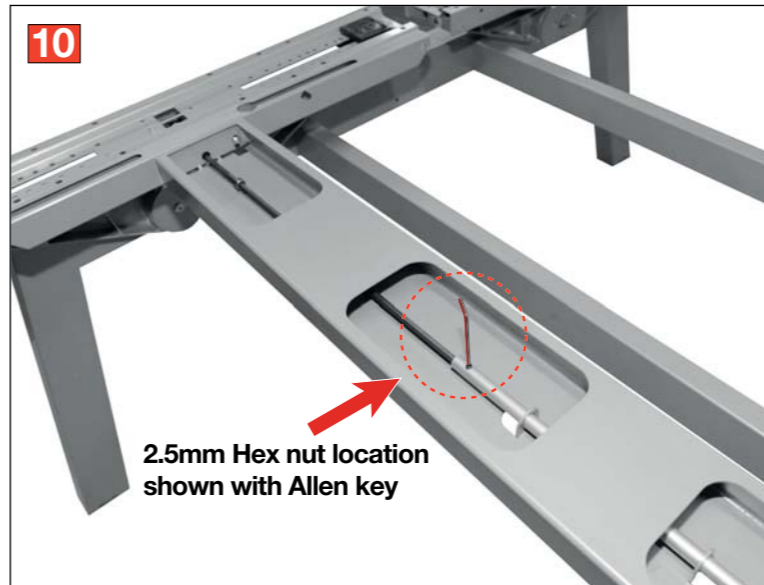
9. Locate Underframe 'C' and lower onto bolts marked 'y' at both ends of the desk. Bolt 'x' should now be placed back into position in the leg frames. Tighten all bolts x & y.



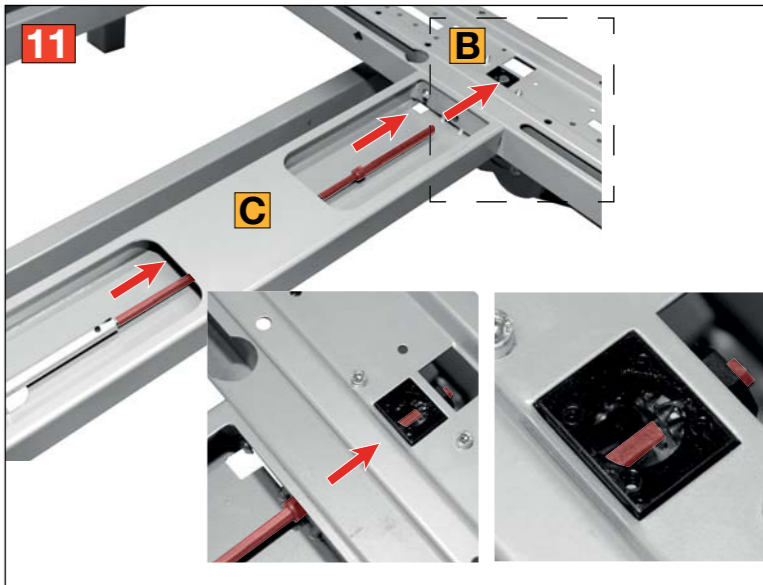
4. Repeat this procedure on the other support rail assembly. (E-B)



5. With help, locate the remaining Leg Assembly 'B' and secure it to the recently completed frame as per previous instructions 2,3 & 4



10. Using 2.5mm hex Allen key, unscrew hex nut so that the rod can move freely along the housing.



11. Move the rod into the cog wheel in each leg frame as shown. Repeat this on both sides of the Underframe 'C'